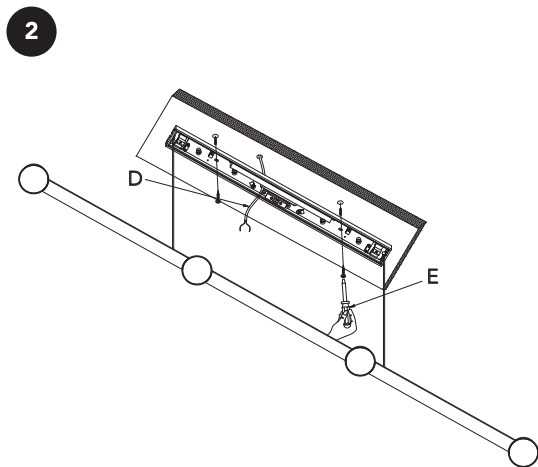


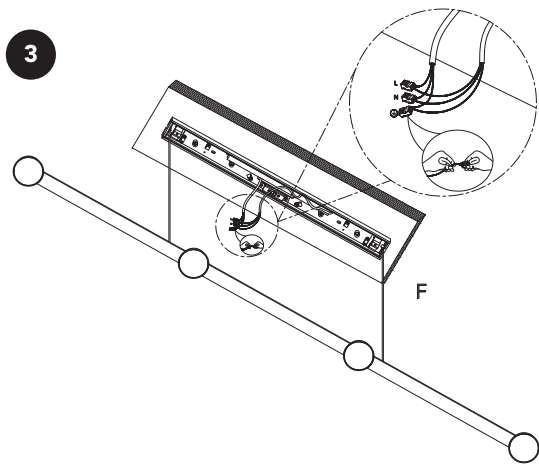
Installation instructions

NOTE: Please make sure the power supply is turned off before installing the lamp.

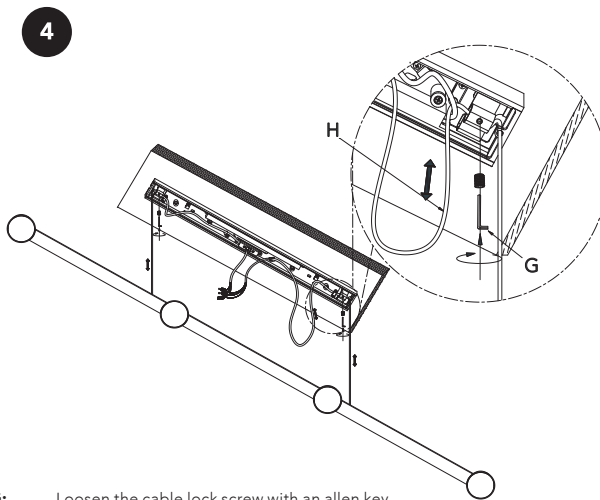
- A:** Hold the ceiling base to the desired location, and mark the drilling points for the screws.
- B:** Drill into the marked drilling points using a Ø5mm drill bit.
- C:** Fix the raw plugs so its flush against the surface.



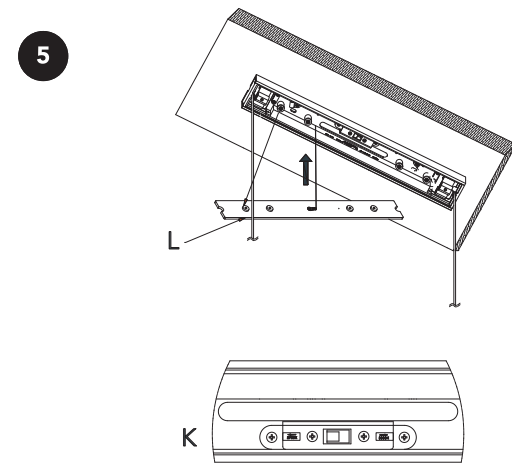
- D:** Place the ceiling base into the correct mounting position and pullout the mains power cable.
- E:** Screw the ceiling base securely into position.



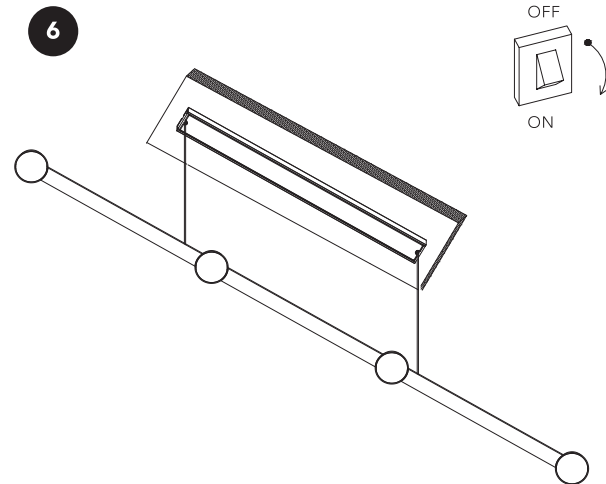
- F:** Connect the cables from both the lamp and the mains power into the terminal as illustrated above.



- G:** Loosen the cable lock screw with an allen key.
- H:** To adjust the cable height, push the metal cable adjuster and either pull or feed the cable to the desired length. Release the cable adjuster to secure the cable.
- J:** Loosen the cable lock screw with an allen key.



- K:** Choose your desired light temperature using the switch as illustrated above.
- L:** Mount the decorative ceiling base cover with the magnet fixing points illustrated.
- M:** Remove this!



- N** Installation is complete

OPTIC Collection

Optic Linear is a ceiling pendant that embodies credo "Form follows function". Each faceted spot is seamlessly sculpted into the linear profile adding an aesthetic dimension.

The optic glass provides a glare-free light and provides maximum light where needed. The surprise is the consistent spread of light on the surface as opposed to circles of light that would generally be expected from spot fixtures.



OPTIC LINEAR L1500

User Instructions

