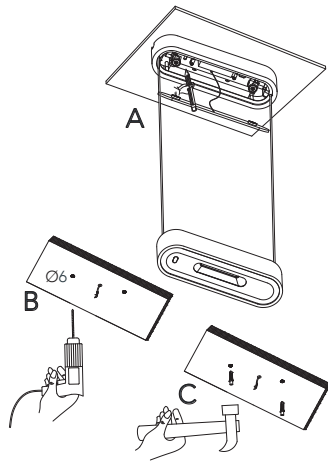


1

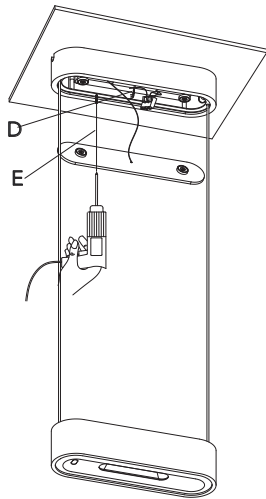


### Installation instructions

NOTE: Before installing, make sure the power supply is switched off.

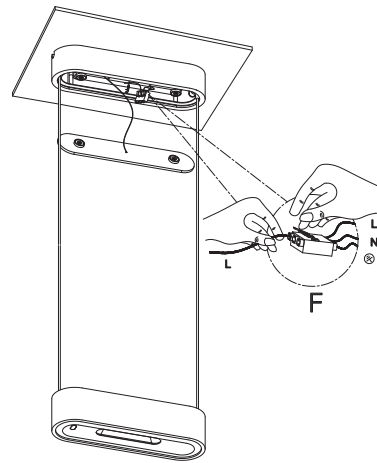
- A** Fix the ceiling plate on the wall and mark the position of the installation hole with a pen.
- B** Drill the hole position with  $\text{Ø}6$  drill bit
- C** Fix the mounting rubber particles in the mounting hole.

2



- D** Put the wall power cord into the ceiling
- E** Then fix the mounting screw to the mounting position

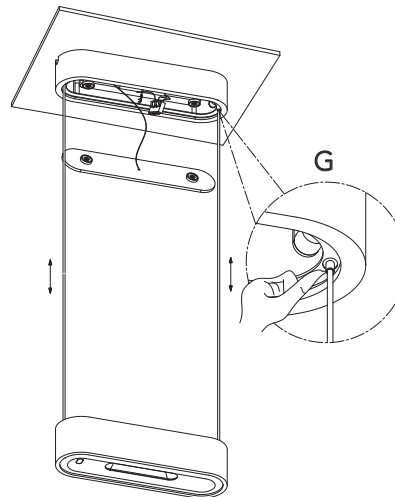
3



- F** Connect the power cord and the input line of the lamp body into the terminal according to the identification to fix it

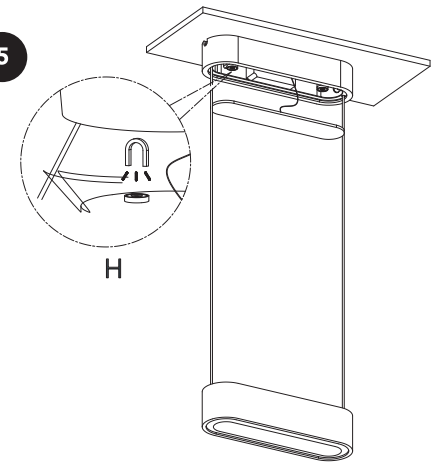
NOTE: The ceiling/lamp base can be used as installation box.

4



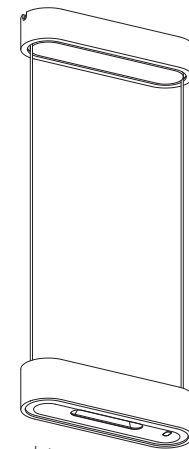
- G** Press the lifter with your hand to adjust the wire up and down to a suitable position

5



- H** Then align the decorative cover with the magnet position to fix it, turn on the main power switch

6

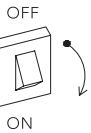


- I** Installation is complete

#### Dimmable with;

- Integrated LIGHT-POINT SMART TUNE Powered by Casambi
- Integrated Touchless sensor
- External Casambi compatible switches Installation instructions

\*This product cannot be controlled by external trailing-edge dimmer



# AURA

## User Instructions

### General use

- The product is designed for indoor use only.
- The lamp gets hot after prolonged use, therefore, do not cover the product.

### Cleaning instructions

- Before cleaning, ensure that the power supply is switched off.
- Wipe surface of lamp shade with a soft cloth.
- Do not use any abrasive cleaning tools such as steel wool, scouring sponges or stiff brushes.
- Never use strong cleaning agents such as white spirit, household glass cleaner or cellulose thinners.

### Safety precautions

- The appliance should be installed, connected and tested by qualified electrician and in accordance with local regulations.
- Turn off the power supply before installation or maintenance of the lamp, and make sure that the cables are not squeezed or damaged by sharp edges during installation.
- The lamp should not be covered by insulation blankets or similar materials.

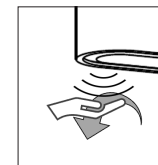
### International warranty

Your product has gone through rigorous testing in order to live up to the highest quality standards. It therefore carries a 7-year warranty from the date of the original retail purchase receipt, covering defects in materials and workmanship when used normally in accordance with the published LIGHT-POINT guidelines.

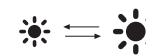
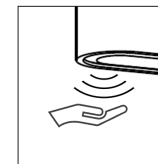
These guidelines include but are not limited to information contained in technical specifications, safety instructions and quick start guides. LIGHT-POINT is not responsible for damage arising from failure to follow instructions relating to the use of the product.

LIGHT-POINT is a registered trademark of NORDIC LIVING GROUP.

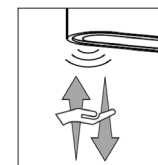
For more information, please visit  
**LIGHT-POINT.COM**




**ON / OFF**  
swipe your hand under the sensor



**DIMM**  
hold your hand still under the sensor to adjust the light level



2700K  ↔  5000K

**TUNABLE WHITE / TO WARM**  
move your hand **up to / away from** the sensor and hold your hand still to set the color temperature

### LIGHT-POINT Smart Tune powered by casambi

For more information about getting connected with your smartphone/tablet device, please visit;

<https://en.light-point.com/shop/cms-light-point/smarttune.html>

Please note: All the latest Casambi installation guides can be found at the above link or scan the QR code below.

