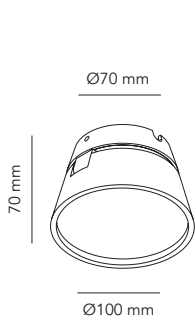


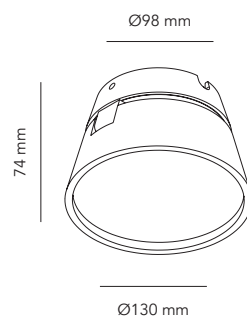


VANTAGE

Design: Nital Patel



VANTAGE 1



VANTAGE 1+

VANTAGE - 2700 K

Design: Nital Patel

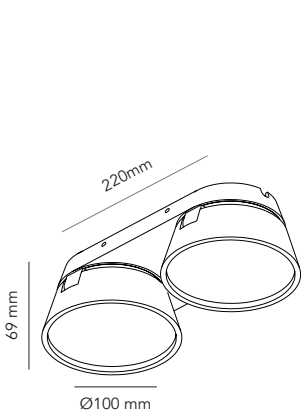
LIGHT·POINT
C O P E N H A G E N

ART. NAME	VANTAGE 1	VANTAGE 1+	
Art. no. white	270690	270700	-
Art. no. black	270691	270701	-
Art. no. rose gold	270692	270702	-
Art. no. titanium	270696	270706	
EAN white	5711389706906	5711389707002	-
EAN black	5711389706913	5711389707019	-
EAN rose gold	5711389706920	5711389707026	-
EAN titanium	5711389706968	5711389707064	
Material	Aluminium / Acrylic	Aluminium / Acrylic	-
Light source	Lumems	Lumems	-
Lifetime	50.000	50.000	-
Number of light sources	2	2	-
Electronical gear	N/A	N/A	-
Driver watt	N/A	N/A	-
Light source watt	6	10	-
System watt	6	10	-
Voltage	220-240V	220-240V	-
Dimmable	Leading/trailing Edge	Leading/trailing Edge	-
Lumen output	540 (Nominal)	900 (Nominal)	-
Lumen pr. watt	90	90	-
Flux	N/A	N/A	-
CCT (K)	2700	2700	-
RA/CRI	>90	>90	-
Mac Adam	3	3	-
Light distribution	N/A	N/A	-
Beam angle	N/A	N/A	-
Tilt angle	90	90	-
Cutout mm.	N/A	N/A	-
Rotation	350	350	-
Looping	Yes	Yes	-

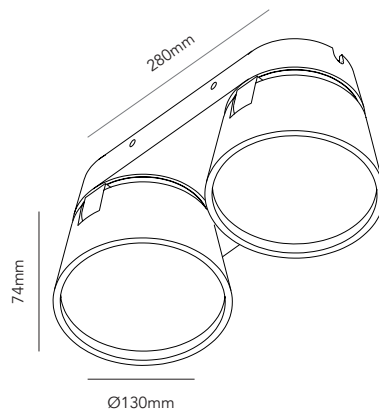


VANTAGE

Design: Nital Patel



VANTAGE 2



VANTAGE 2+

VANTAGE - 2700 K

Design: Nital Patel

LIGHT·POINT
C O P E N H A G E N

ART. NAME	VANTAGE 2	VANTAGE 2+	
Art. no. white	270820	270830	-
Art. no. black	270821	270831	-
Art. no. rose gold	270822	270832	-
Art. no. titanium	270823	270833	-
EAN white	5711389708207	5711389708306	-
EAN black	5711389708214	5711389708313	-
EAN rose gold	5711389708221	5711389708320	-
EAN titanium	5711389708238	5711389708320	-
Material	Aluminium / Acrylic	Aluminium / Acrylic	-
Light source	Lumems	Lumems	-
Lifetime	50.000	50.000	-
Number of light sources	2	2	-
Electronical gear	N/A	N/A	-
Driver watt	N/A	N/A	-
Light source watt	8	15	-
System watt	16	30	-
Voltage	220-240V	220-240V	-
Dimmable	TRAIC	TRAIC	-
Lumen output	1440 (Nominal)	2700 (Nominal)	-
Lumen pr. watt	90	90	-
Flux	N/A	N/A	-
CCT (K)	2700	2700	-
RA/CRI	>90	>90	-
Mac Adam	3	3	-
Light distribution	N/A	N/A	-
Beam angle	N/A	N/A	-
Tilt angle	90	90	-
Cutout mm.	N/A	N/A	-
Rotation	350	350	-
Looping	Yes	Yes	-